



WR302 DESIGN
Regular wirecore,
revolutionary features

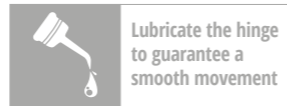


VISOTTICA
GROUP

WR302 DESIGN

Regular wirecore, revolutionary features

Design hinge for acetate and combination frames



FEATURES

JOINT SYSTEM

3 joints (3.0mm · 3.8 mm · 5.0 mm)

SCREWS

VIT screw

TEMPLE CLOSURE

perfect symmetry

PERFORMANCES

BENDING RESISTANCE

min. 10 complete cycles ± 15°
min. 3 complete cycles ± 30°



Screw applied from underneath for a clean design

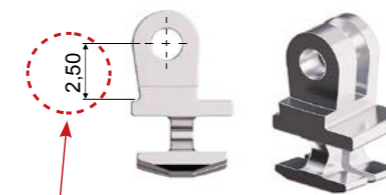
PERFORMANCE COMPARISON

between classic temple closure and WR302 DESIGN temple closure

CLASSIC TEMPLE CLOSURE



The front part of the hinge is too short to allow a good closing frame position

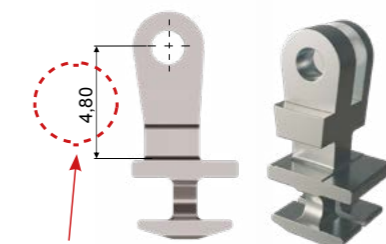


classic front hinge

WR302 DESIGN TEMPLE CLOSURE

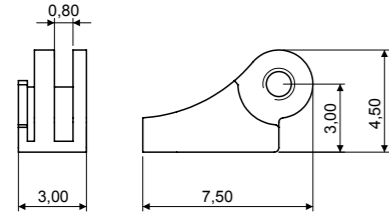


The higher WR302 front hinge ensures a perfect closure of the temples



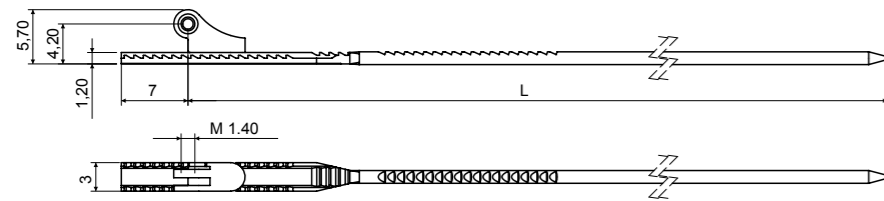
WR302 DESIGN front hinge

WR302 DESIGN LINE (3.0)
Regular Hinge and Wirecore
for **Acetate and Combination Frames**



FEMALE 03FECF867A1BY0
Material: **Nickel silver**

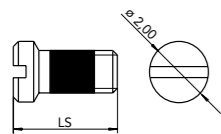
WIRECORES



WIRECORE	
L	CODE
128	03WRCF889A128BN0
133	03WRCF889A233BN0

Material: **Nickel silver**

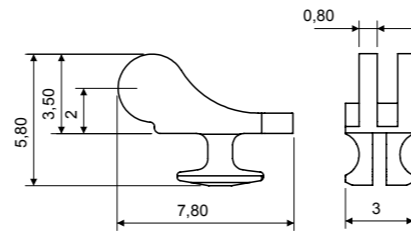
SCREWS



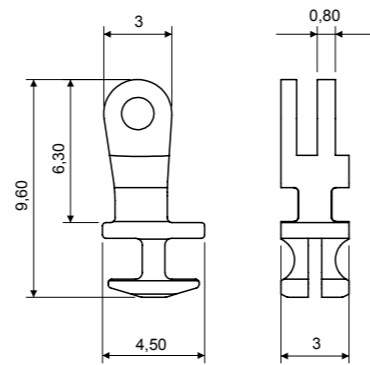
VIT SCREW M1.40	
LS	CODE
2.95	07VIA0555A1BYX

Material: **Stainless steel**
Visottica Injection Technology

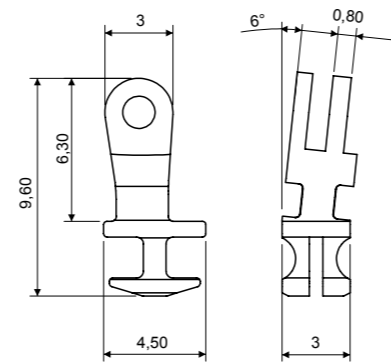
HINGES



180° INSERT HINGE 03MACF870A2BN0
Material: **Nickel silver**

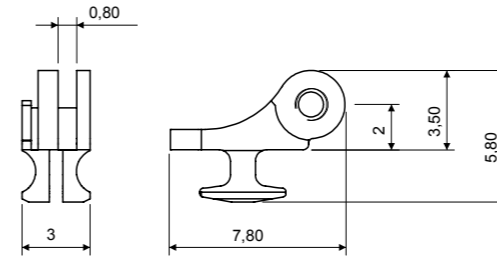
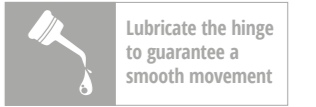


90° INSERT HINGE 03MACF863A1BN0
Material: **Nickel silver**

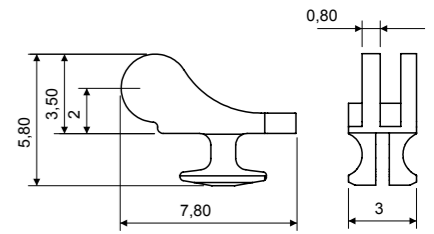


90° INSERT HINGE 03MACF874A2BN0
Material: **Nickel silver**
6° SLANTED ANGLE

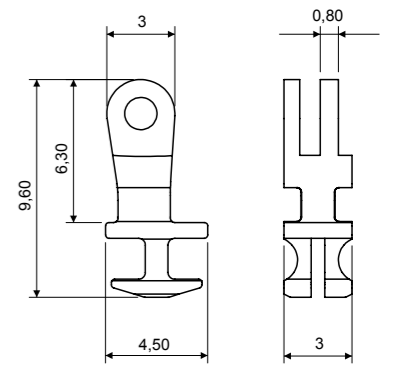
WR302 DESIGN LINE (3.0)
Regular Hinge and Wirecore
for **Injection Frames**



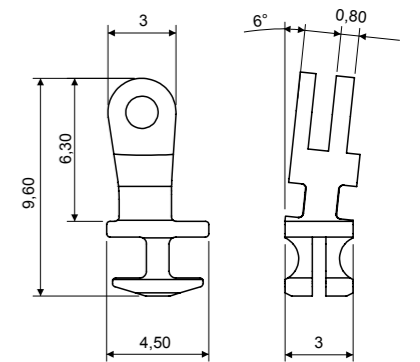
FEMALE 03FECF879A2BN0
Material: **Nickel silver**



180° INSERT HINGE 03MACF870A2BN0
Material: **Nickel silver**

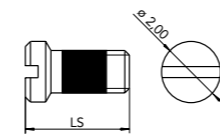


90° INSERT HINGE 03MACF863A1BN0
Material: **Nickel silver**



90° INSERT HINGE 03MACF874A2BN0
Material: **Nickel silver**
6° SLANTED ANGLE

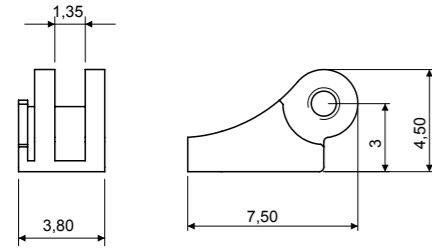
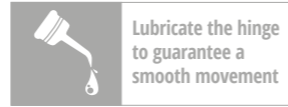
SCREWS



VIT SCREW M1.40	
LS	CODE
2.95	07VIA0555A1BYX

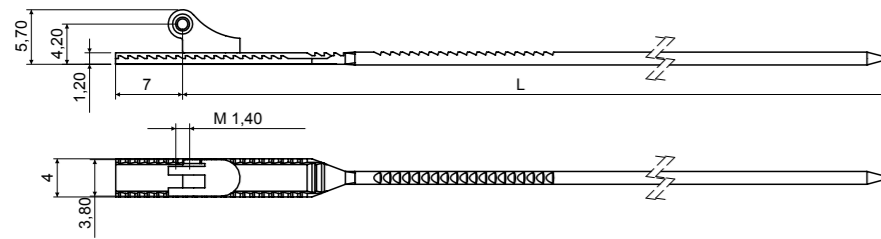
Material: **Stainless steel**
Visottica Injection Technology

WR302 DESIGN LINE (3.8)
Regular Hinge and Wirecore
for **Acetate and Combination Frames**



FEMALE 03FECF868A1BY0
Material: **Nickel silver**

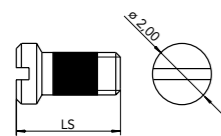
WIRECORES



WIRECORE	
L	CODE
128	03WRCF890A128BN0
133	03WRCF890A233BN0

Material: **Nickel silver**

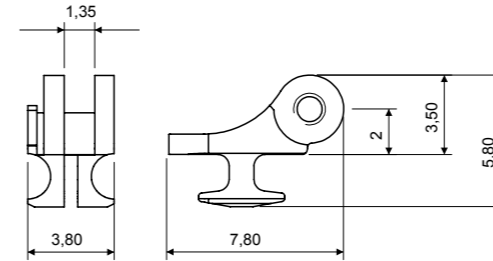
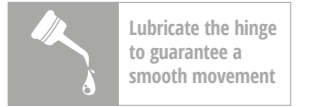
SCREWS



VIT SCREW M1.40	
LS	CODE
3.65	07VIC5799A1BYX

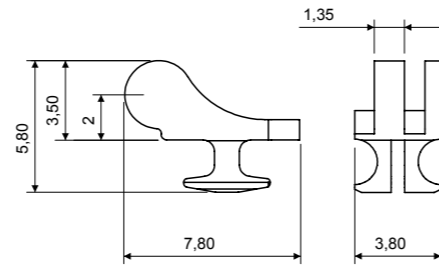
Material: **Stainless steel**
Visottica Injection Technology

WR302 DESIGN LINE (3.8)
Regular Hinge and Wirecore
for **Injection Frames**

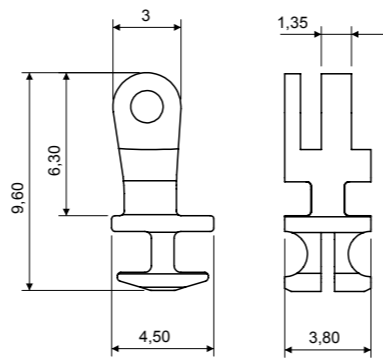


FEMALE 03FECF880A2BN0
Material: **Nickel silver**

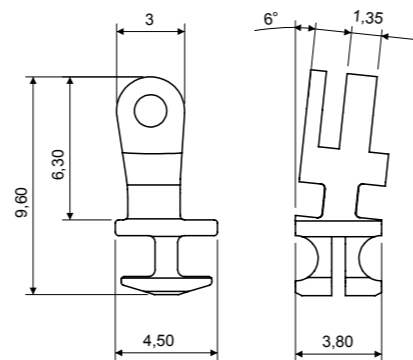
HINGES



180° INSERT HINGE 03MACF871A2BN0
Material: **Nickel silver**

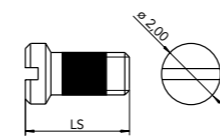


90° INSERT HINGE 03MACF864A1BN0
Material: **Nickel silver**



90° INSERT HINGE 03MACF876A2BN0
Material: **Nickel silver**
6° SLANTED ANGLE

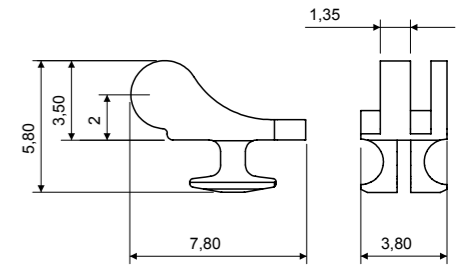
SCREWS



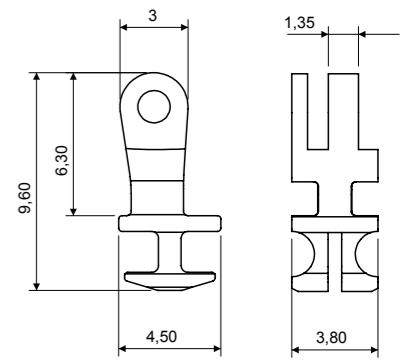
VIT SCREW M1.40	
LS	CODE
3.65	07VIC5799A1BYX

Material: **Stainless steel**
Visottica Injection Technology

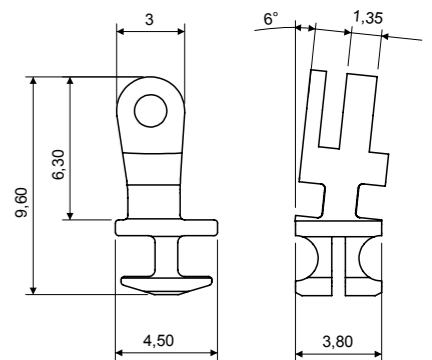
HINGES



180° INSERT HINGE 03MACF871A2BN0
Material: **Nickel silver**

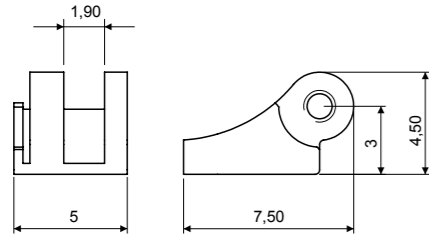


90° INSERT HINGE 03MACF864A1BN0
Material: **Nickel silver**



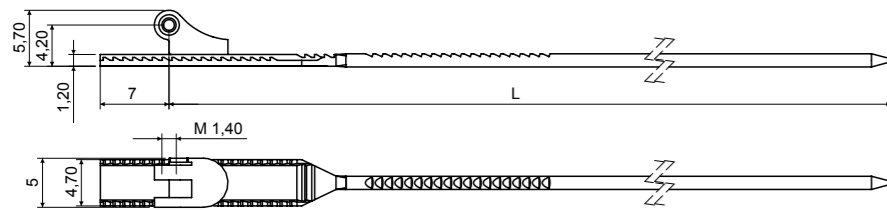
90° INSERT HINGE 03MACF876A2BN0
Material: **Nickel silver**
6° SLANTED ANGLE

WR302 DESIGN LINE (5.0)
Regular Hinge and Wirecore
for **Acetate and Combination Frames**



FEMALE 03FECF869A1BY0
Material: **Nickel silver**

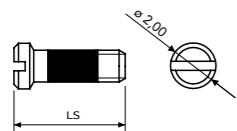
WIRECORES



WIRECORE	
L	CODE
128	03WRCF891A128BN0
133	03WRCF891A233BN0

Material: **Nickel silver**

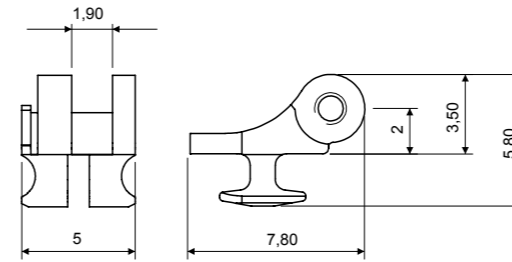
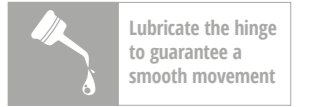
SCREWS



VIT SCREW M1.40	
LS	CODE
4.90	07VI20049003

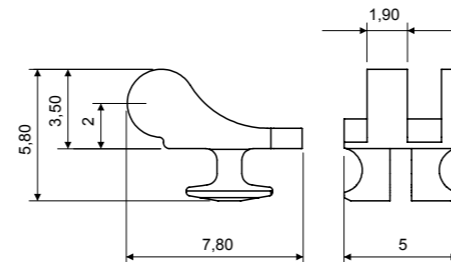
Material: **Stainless steel**
Visottica Injection Technology

WR302 DESIGN LINE (5.0)
Regular Hinge and Wirecore
for **Injection Frames**

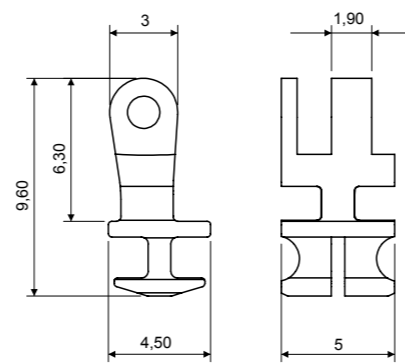


FEMALE 03FECF881A2BN0
Material: **Nickel silver**

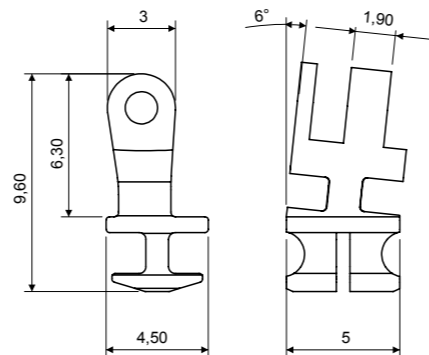
HINGES



180° INSERT HINGE 03MACF872A2BN0
Material: **Nickel silver**

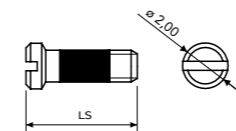


90° INSERT HINGE 03MACF865A1BN0
Material: **Nickel silver**



90° INSERT HINGE 03MACF878A2BN0
Material: **Nickel silver**
6° SLANTED ANGLE

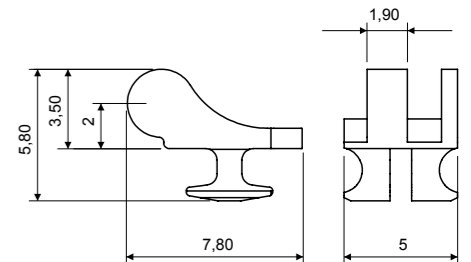
SCREWS



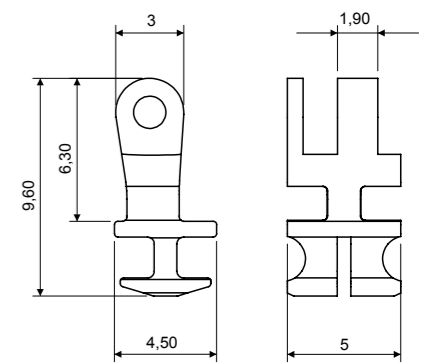
VIT SCREW M1.40	
LS	CODE
4.90	07VI20049003

Material: **Stainless steel**
Visottica Injection Technology

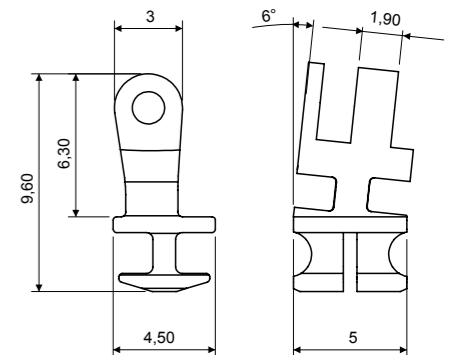
HINGES



180° INSERT HINGE 03MACF872A2BN0
Material: **Nickel silver**



90° INSERT HINGE 03MACF865A1BN0
Material: **Nickel silver**



90° INSERT HINGE 03MACF878A2BN0
Material: **Nickel silver**
6° SLANTED ANGLE

sales@visotticagroup.com

**Visottica Industrie S.p.a.**

Via Vecchia Trevigiana, 11
31058 Susegana
(Trevise), Italy
Tel +39 0438 6551
Fax +39 0438 450 855
sales@visotticagroup.com

O'Reilly Industrial Ltd.

Rm 302, Shui Hing Centre,
13 Sheung Yuet Road,
Kowloon Bay, Kowloon, Hong Kong
Tel +852 2796 6010
Fax +852 2796 4631
sales@visotticagroup.com

**COMOTEC Optical Products
(Dongguan) Ltd.**

No. 23, Weijian Road,
ChaShan Town, Dongguan City
Guangdong Province, China 523380
Tel +86 769 8233 9955
Fax +86 769 8233 9977
sales@visotticagroup.com

Ookii S.r.l.

Via Industrie, 3 Rasai
32030 Seren del Grappa
(Belluno), Italy
Tel +39 0439 447 08
Fax +39 0439 448 038
sales@visotticagroup.com

Matrix S.r.l.

Via Industrie, 13 Rasai
32030 Seren del Grappa
(Belluno), Italy
Tel +39 0439 448 388
Fax +39 0439 448 217
sales@visotticagroup.com

Eurodecori S.r.l.

Zona Artigianale 11
32038 Quero Vas
(Belluno), Italy
Tel +39 0439 787 788
sales@visotticagroup.com

Ethos S.r.l.

Via dell'Industria, 7
31020 San Zenone degli Ezzelini
(Trevise), Italy
Tel. +39 0423 078257
sales@visotticagroup.com

Ideal S.r.l.

Via A. Redusio, 6/8/10
32038 Quero Vas
(Belluno), Italy
Tel. +39 0439 787200
Fax +39 0439 787404
sales@visotticagroup.com